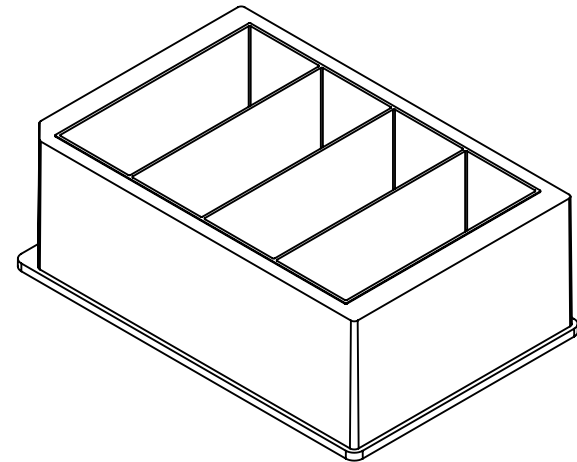
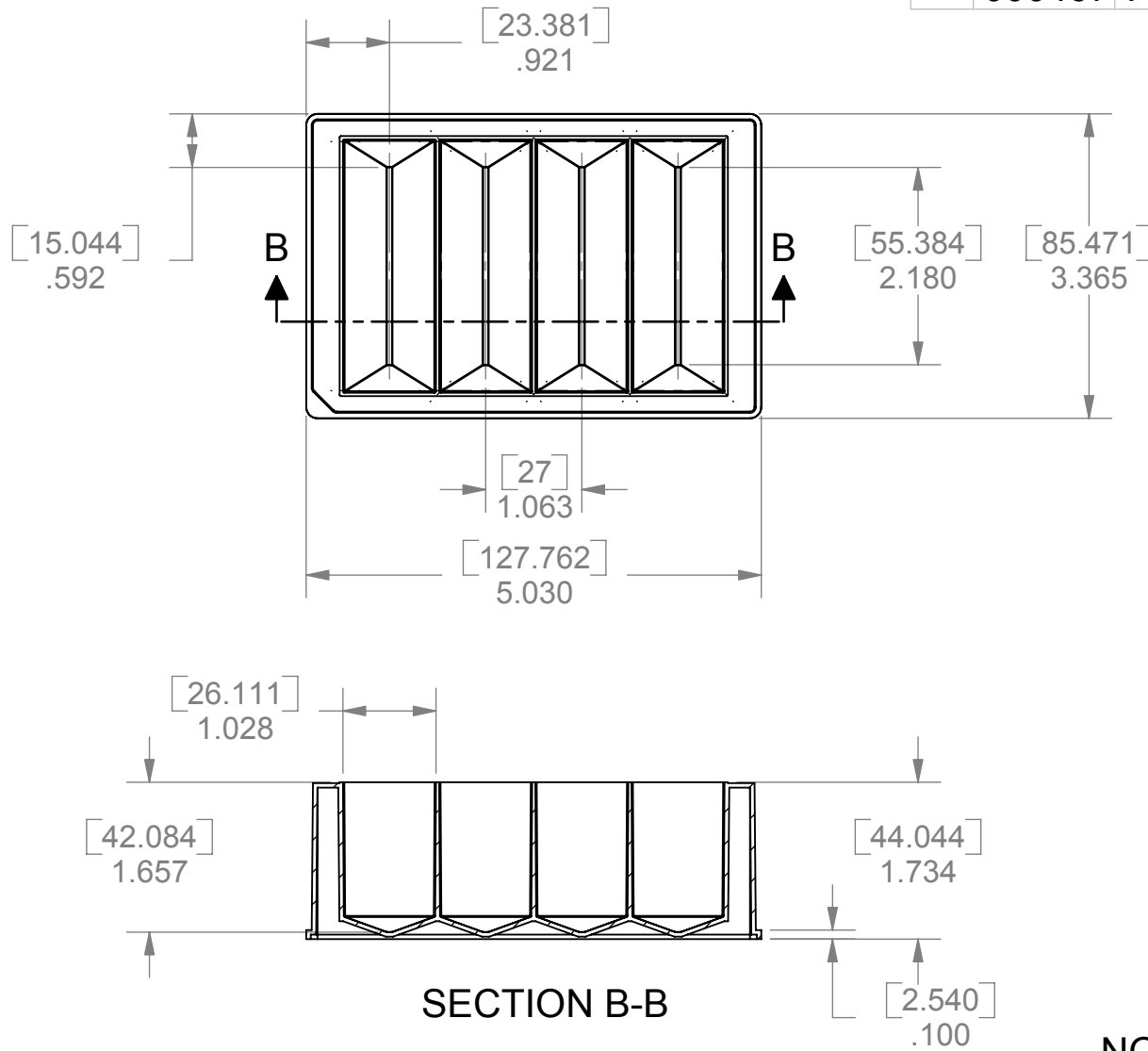


REV	ECO NO.	DESCRIPTION OF CHANGES	DATE
A	000467	RELEASED TO PRODUCTION	12/06



NOTE: MAX VOLUME OF WELL 73ml

FOR REFERENCE ONLY

**INNOVATIVE**  
CUSTOM MICROPLATE  
MICROPLATES

1998 WESTOVER RD.  
CHICOPEE, MA 01022  
TEL. (413) 593-5300  
FAX (413) 593-5900

⊕  
C 2006  
CONFIDENTIAL  
TRADE SECERTS  
PATENTS ISSUED  
AND PENDING  
DO NOT COPY  
OR DISCLOSE  
WITHOUT WRITTEN  
PERMISSION OF  
INNOVATIVE MICROPLATE

TOLERANCE UNLESS  
OTHERWISE SPECIFIED  
XX +/- .010  
XXX +/- .001  
XXXX +/- .0005  
FRACTION : +/- 1/32  
ANGULAR : +/- 0°15'  
RADIUS 0.015" UNLESS  
OTHERWISE SPECIFIED

MATERIAL :  
NATURAL POLYPROPYLENE

CONCENTRATE

DATE :  
12/14/06

DESCRIPTION : 4 COLUMN, PARTITIONED RESERVOIR, 73ml PER WELL

CATALOG: S30051

DRAWN BY :	APPROVAL BY :	PAPER SIZE	SCALE	SHEET	REV.
KN	STEVE YOUNG	A	NTS	1 OF 1	A