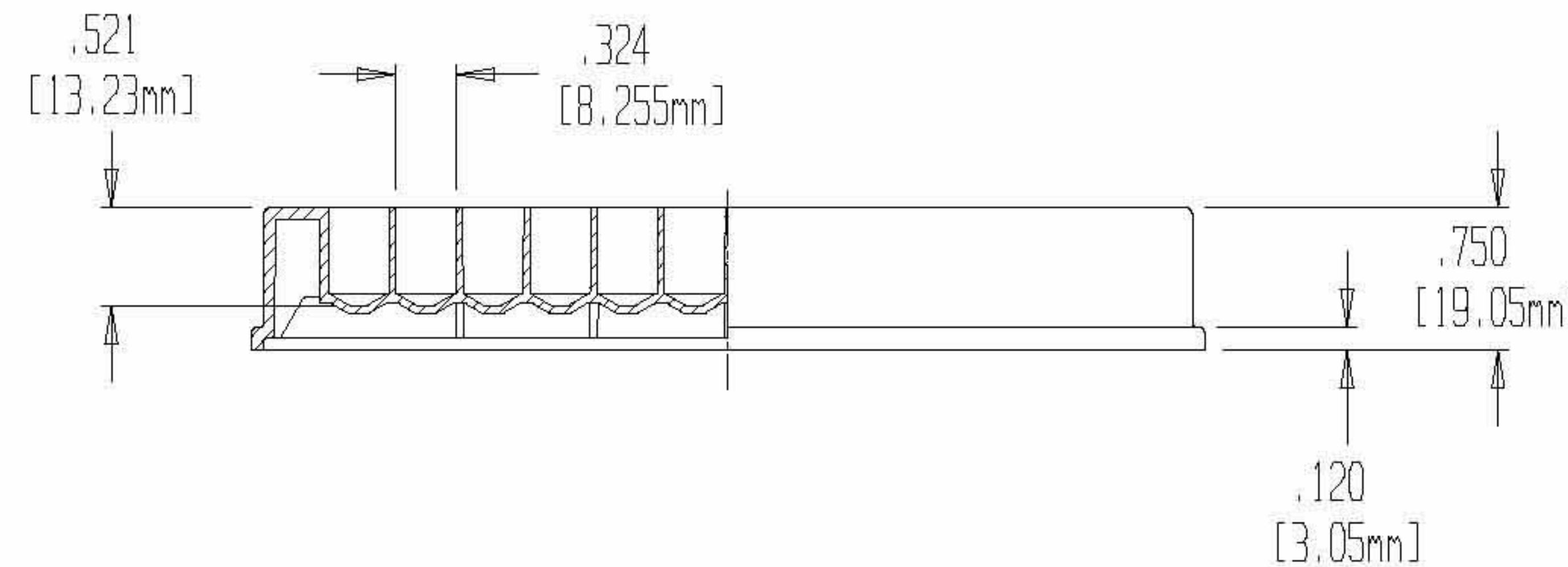
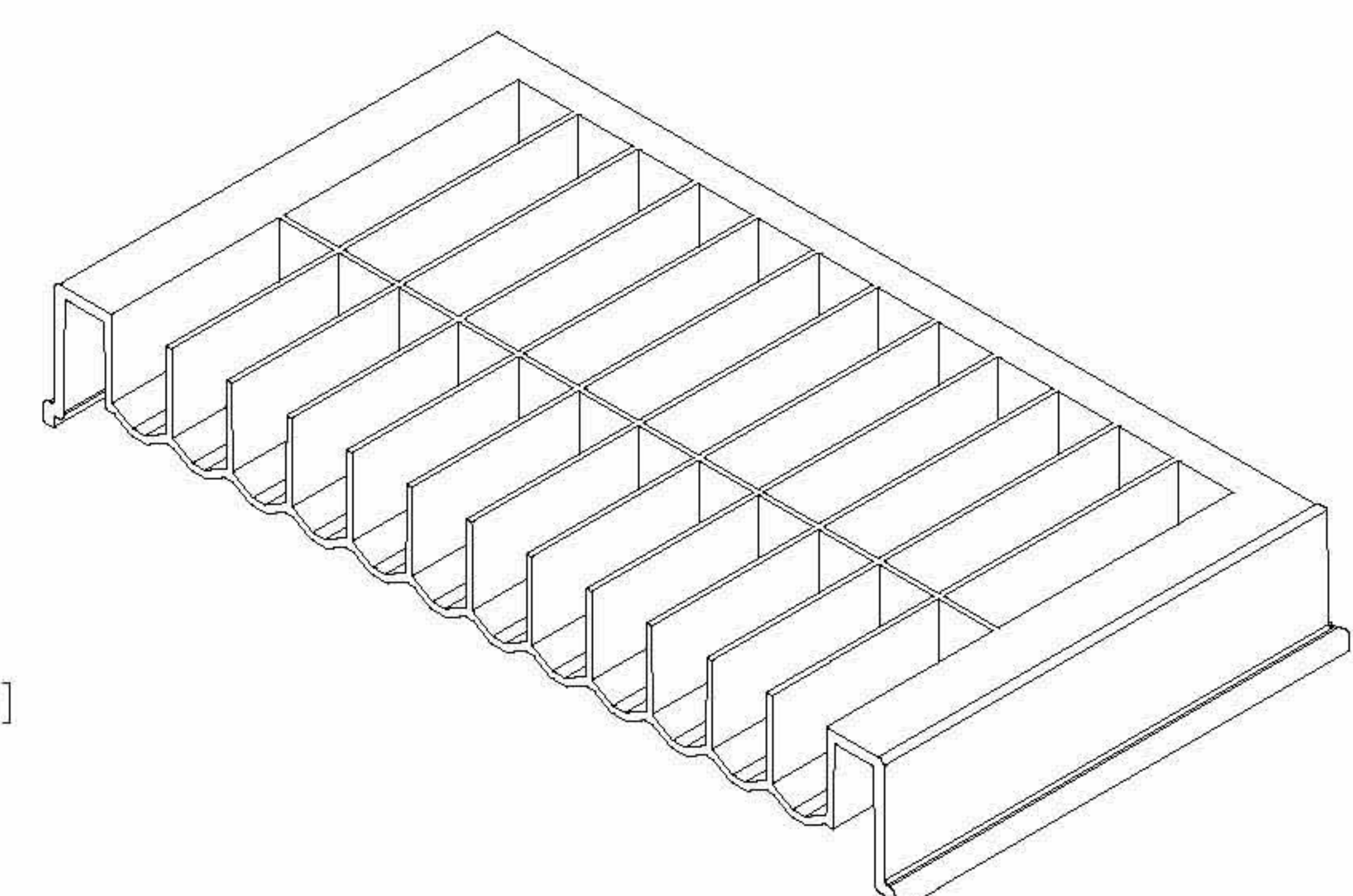
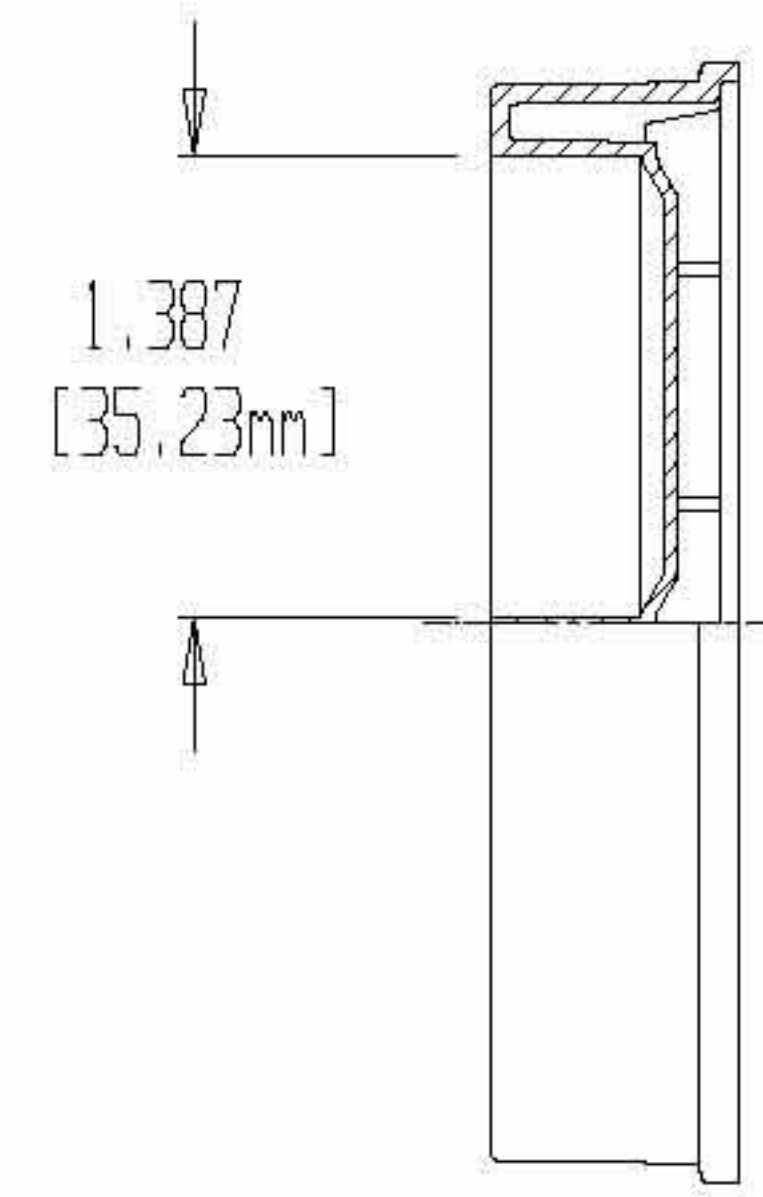
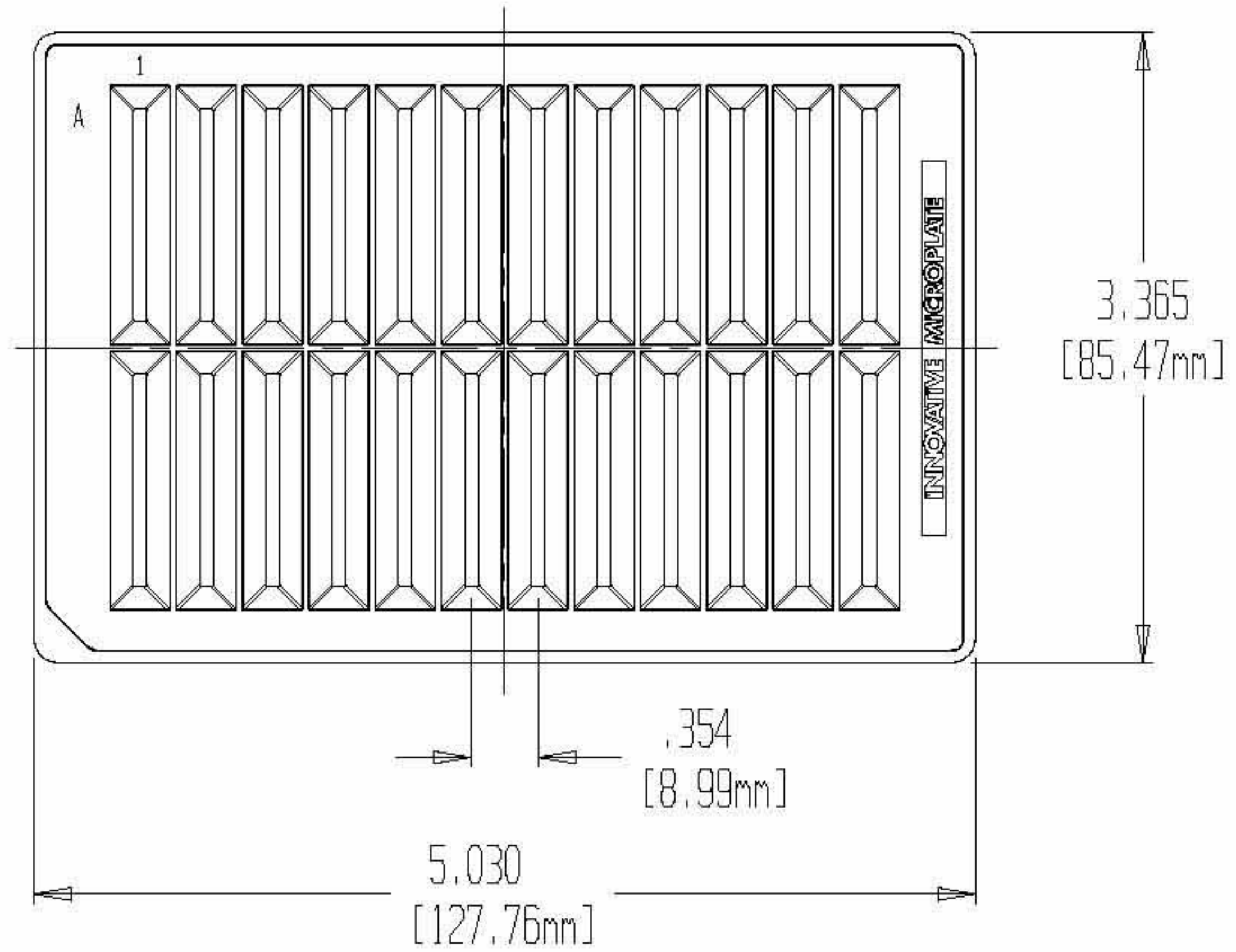


REV.	ECO NO.	DESCRIPTION
A	000294	RELEASE TO PRODUCTION.



NOTE:
MAX VOLUME OF COLUMN 3.50ml

FOR REFERENCE ONLY

Seahorse Bioscience

300 Griffith Road
Chicopee, MA 01022
Tel: (413) 593-5300
Fax: (413) 593-5900

© 2001
CONFIDENTIAL
TRADE SECRETS
PATENTS ISSUED
AND PENDING
DO NOT COPY
OR DISCLOSE
WITHOUT WRITTEN
PERMISSION OF
INNOVATIVE MICROPLATE

TOLERANCES UNLESS
OTHERWISE SPECIFIED
XX ± .03
XXX ± .015
XXXX ± .0005
FRACTION: ± 1/64
ANGULAR: ±0°15'
RADIUS 0.015" UNLESS
OTHERWISE SPECIFIED
BREAK ALL SHARP EDGES

MATERIAL: RESPPCP
NATURAL POLYPROPYLENE
CONCENTRATE:
DATE: 2/22/05
DRAWN BY: KN

PRT NAME:
24 COLUMN , 3.5ml PARTITION RESERVOIR,
LOW PROFILE, PYRAMID BOTTOM, NATURAL PP
CATALOG NO.: S30039
APPR BY:
PRT SIZE: A
SCALE: NTS
SHEET 1 of 1
REV. A