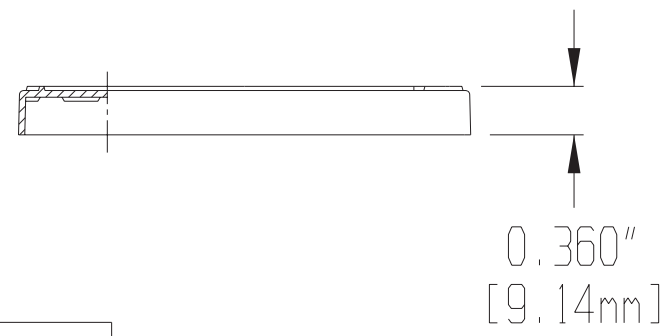
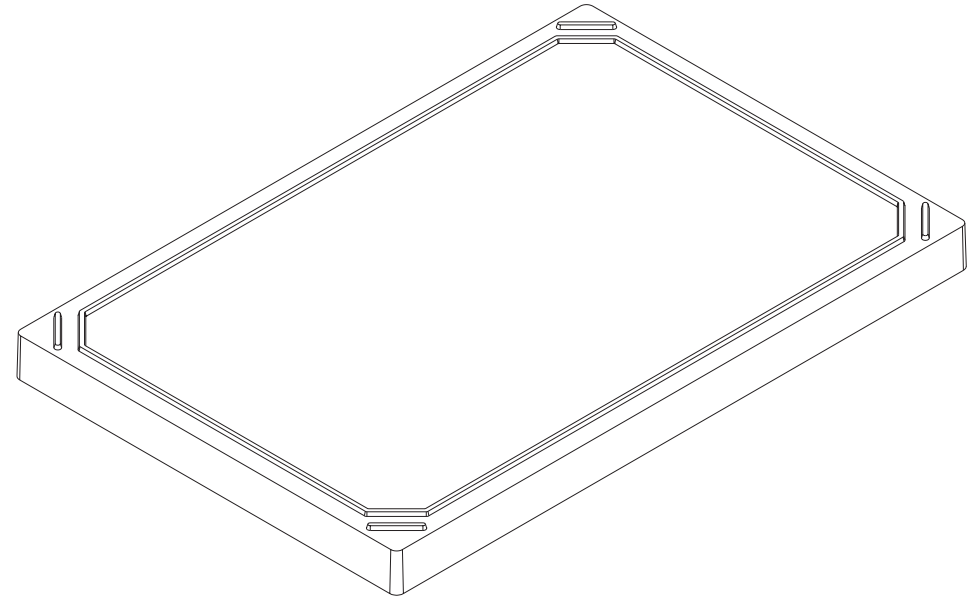
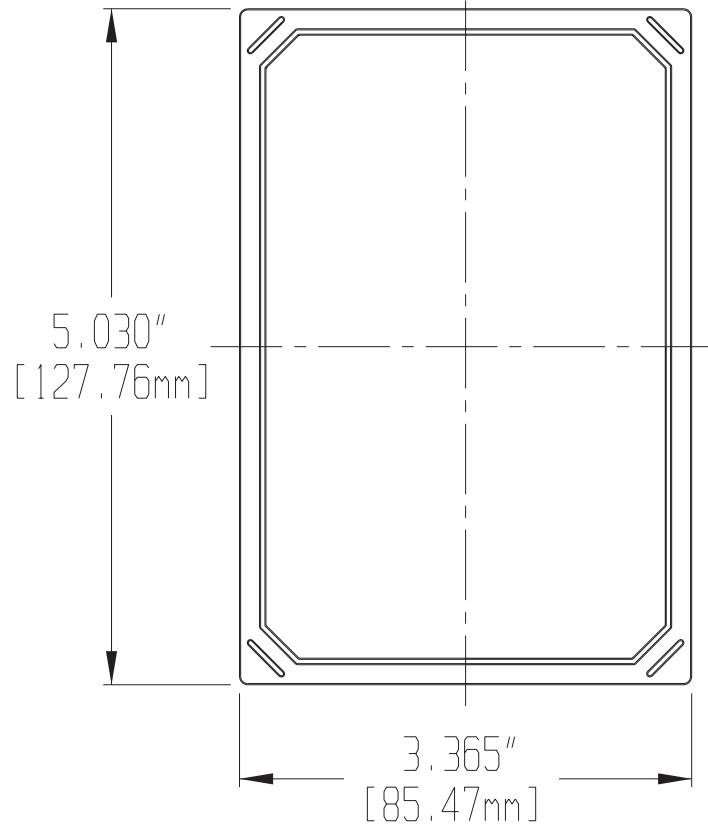


| REV. | ECO NO. | DESCRIPTION |
|------|---------|------------------------|
| A | 000018 | RELEASE TO PRODUCTION. |



FOR REFERENCE ONLY

Seahorse Bioscience
 SEAHORSE BIOSCIENCE, INC.
 300 GRIFFITH ROAD
 CHICOPEE, MA 01022
 (413) 593-5300 PHONE
 (413) 593-5900 FAX

© 2001
 CONFIDENTIAL
 TRADE SECRETS
 PATENTS ISSUED
 AND PENDING
 DO NOT COPY
 OR DISCLOSE
 WITHOUT WRITTEN
 PERMISSION OF
 INNOVATIVE MICROPLATE

TOLERANCES UNLESS
 OTHERWISE SPECIFIED
 XX ± .03
 XXX ± .015
 XXXX ± .0005
 FRACTION: ± 1/64
 ANGULAR: ±0°15'
 RADIUS 0.015" UNLESS
 OTHERWISE SPECIFIED
 BREAK ALL SHARP EDGES

MATERIAL: RESPS
 NATURAL POLYSTYRENE
CONCENTRATE:
DATE: 08/26/01
DRAWN BY: YELENA SUKONIK

PRT NAME:
 UNIVERSAL LID, ROBOTIC FRIENDLY, POLYSTYRENE, CLEAR
CATALOG NO.: A50009
APPR BY:
PRT SIZE: A
SCALE: NTS
SHEET 1 OF 1
REV. A