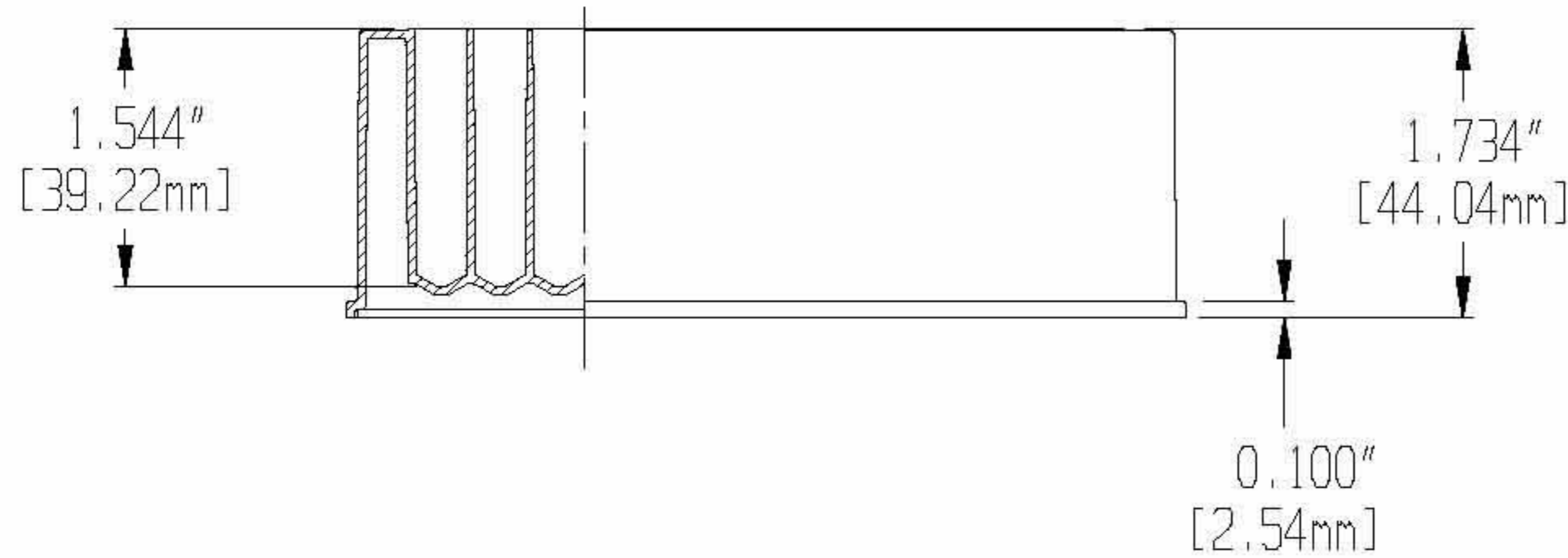
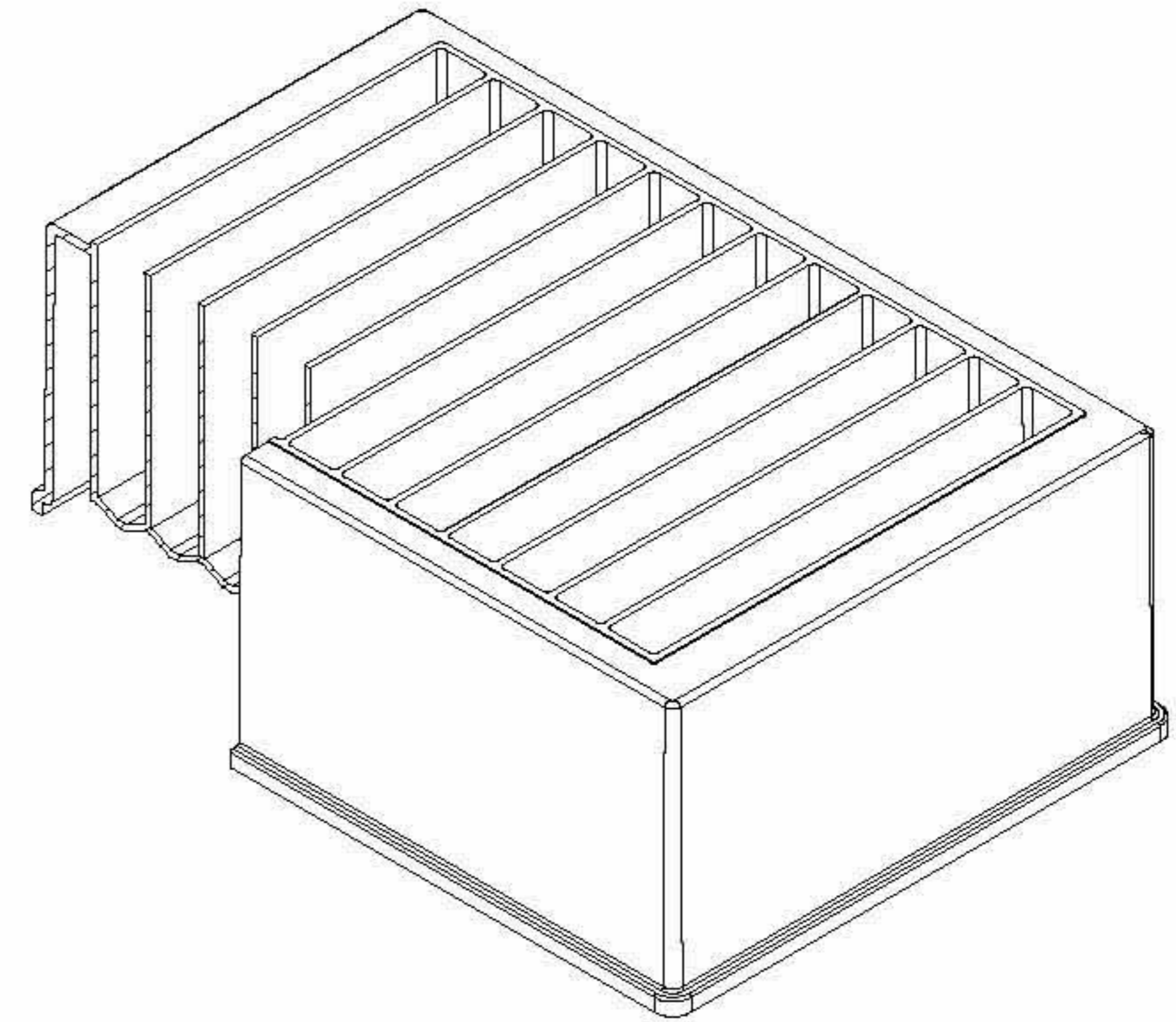
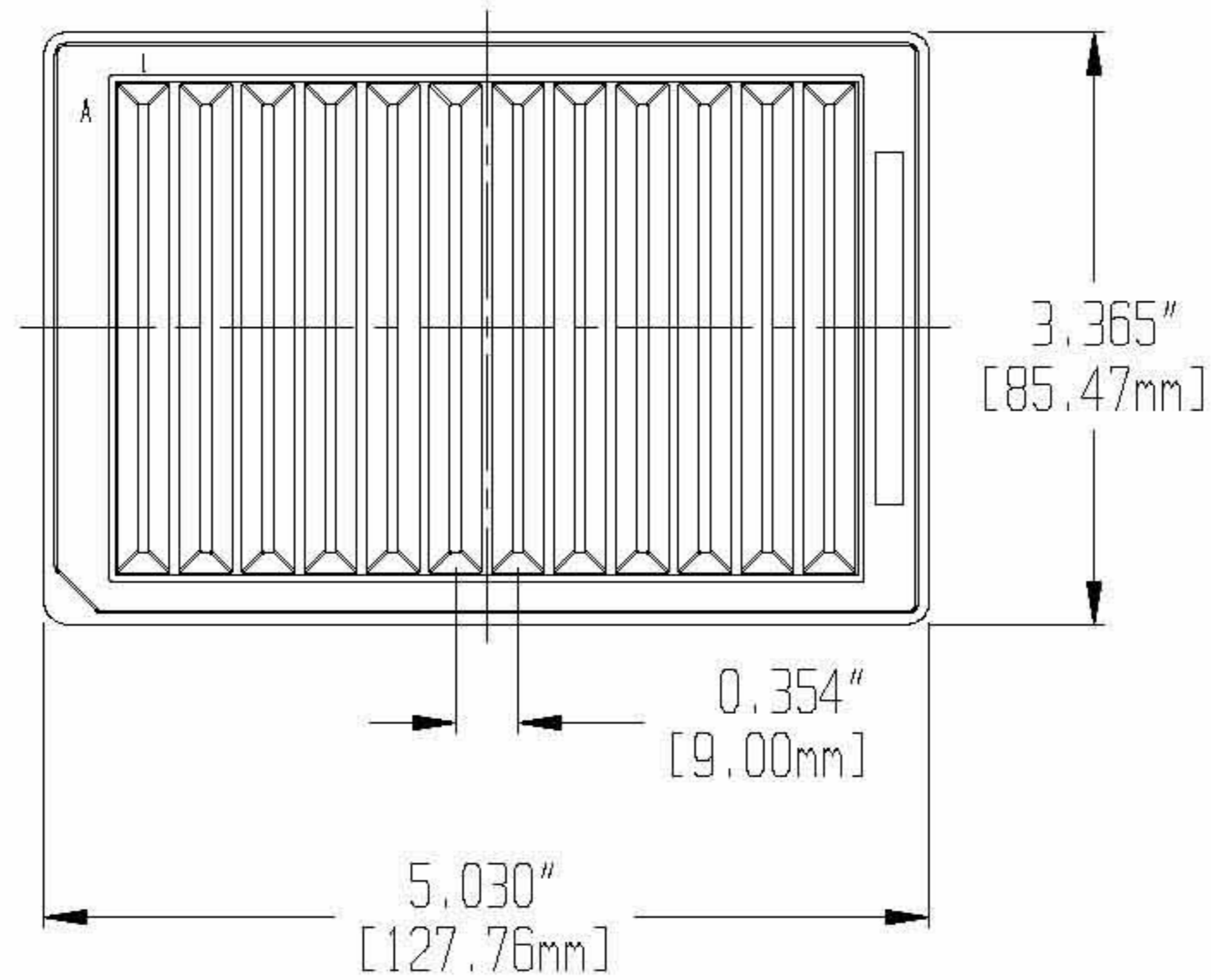


REV.	ECO NO.	DESCRIPTION
A	000022	RELEASE TO PRODUCTION.



NOTE:

MAX VOLUME OF COLUMN 21 ml

Seahorse Bioscience

300 Griffith Road
Chicopee, MA 01022
Tel: (413) 593-5300
Fax: (413) 593-5900

© 2001
CONFIDENTIAL
TRADE SECRETS
PATENTS ISSUED
AND PENDING
DO NOT COPY
OR DISCLOSE
WITHOUT WRITTEN
PERMISSION OF
INNOVATIVE MICROPLATE

TOLERANCES UNLESS
OTHERWISE SPECIFIED
XX ± .03
XXX ± .015
XXXX ± .0005
FRACTION: ± 1/64
ANGULAR: ±0°15'
RADIUS 0.015" UNLESS
OTHERWISE SPECIFIED
BREAK ALL SHARP EDGES

MATERIAL: RESPPCP
NATURAL POLYPROPYLENE
CONCENTRATE:
DATE: 01/22/02
DRAWN BY: YELENA SLIKONIK

PRT NAME:
12 COLUMNS, PARTITIONED RESERVOIR, PYRAMID BOTTOM, NATURAL PP
PRT NO.: S30019
APPR BY:
PRT SIZE: A
SCALE: NTS
SHEET 1 OF 1
REV. A